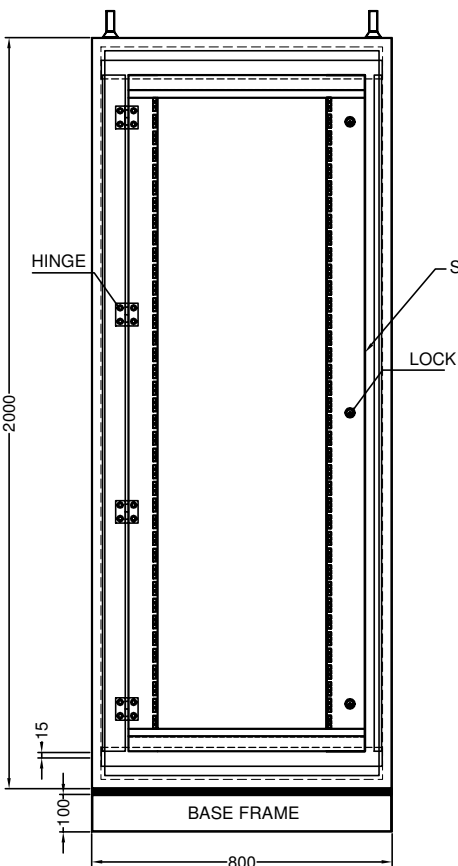
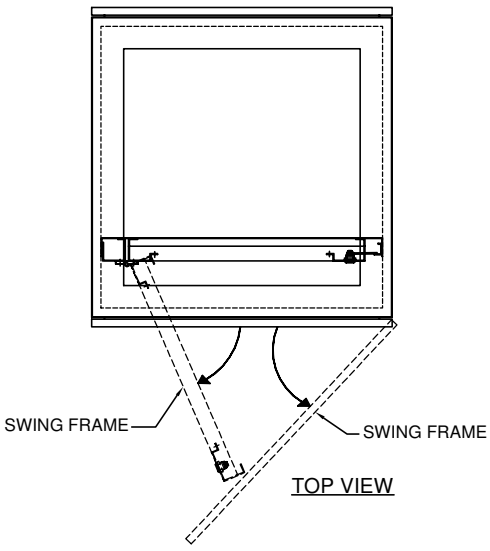
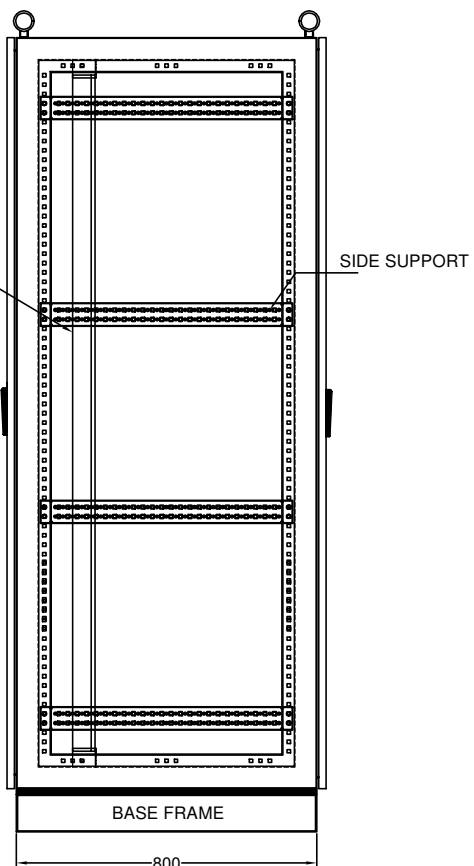


DWG. NO. AR26602

FOR REFERENCE ONLY



FRONT VIEW  
WITHOUT DOOR



SIDE VIEW  
WITHOUT COVER

ALL DIMENSIONS IN MM.					MATERIAL - CRCA M.S.			
REV. BY -		SUPERSEDES - (DWG. NO.)			THIS DRAWING IS A PROPERTY OF HULASI METALS PVT. LTD. AND MUST NOT BE COPIED OR REPRODUCED IN ANY FORM WITHOUT ANY WRITTEN PERMISSION			
REV. DATE -		SUPERSEDED BY - NAME						
REV. A	B	C	D	E				OBSOLETE BY - NAME
CUSTOMER - AREVA						DRAWN	CHECKED	APPROVED
PROJECT - COMMON					DATE	26.06.2009		
FINISH - LIGHT GREY - RAL 7035					SIGN.			
SCALE - NTS DWG. NO. - AR26602					BY.	BHARTENDU		
TITLE: GENERAL ARRANGEMENT DRAWING OF PANEL WITH SWING FRAME (2115X800X800)					HULASI METALS PVT. LTD. JAIPUR.			